

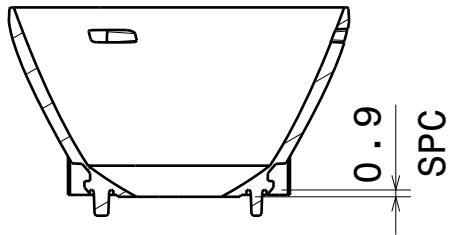
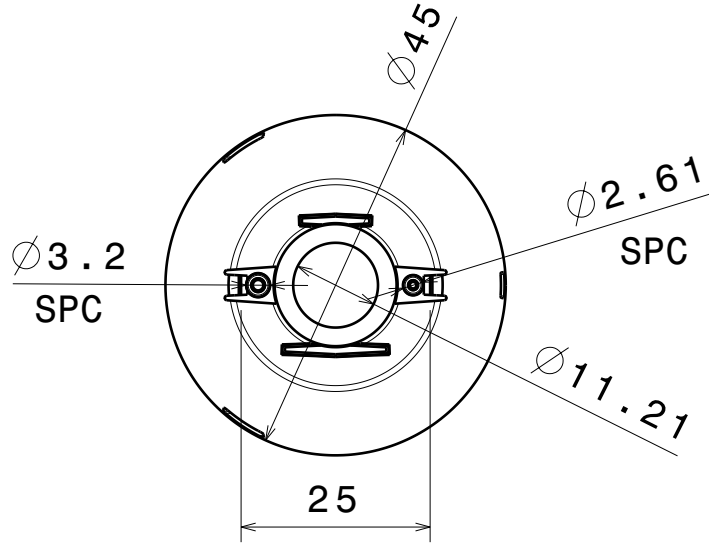
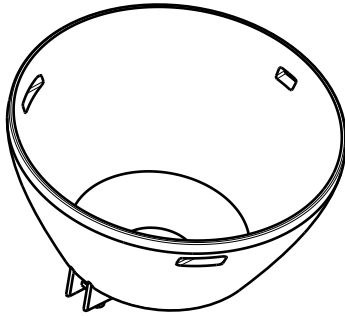
D

C

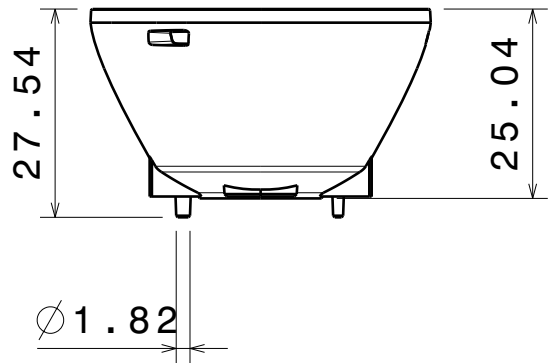
B

A

Surface finish: vdi12 with texture polishing



Section view



Surface treatment: Metal plated + clear lacquer. 85% reflectivity requirement.

Material: PC 2407 white

Tolerances:

Dimensions +/- 0,1 if not otherwise shown.

Control for SPC marked dimensions.

This drawing is our property. It can't be reproduced or communicated without our written agreement.



Ledil Oy
Tehdaskatu 13
FIN-24100 SALO
Finland

DRAWING TITLE

C11773_Venla-S-Vega drawing

DRAWN BY

as

DATE

07.03.2012

CHECKED BY

xx

DATE

xx.xx.2011

SIZE

A4

DRAWING NUMBER

C11773

REV

4

DESIGNED BY

hh

DATE

02.03.2011

SCALE

1:1

WEIGHT (g)

SHEET

1/1

D

A

4

4

3

3

2

2

1

1